



Peplink 401

4x4 MIMO 5G Ready Cellular Antenna System with GPS Receiver

Features

- 4x4 MIMO 5G ready cellular antenna system with GPS receiver
- Cellular frequencies 600-6000 MHz
- B71 Support
- Durable and UV-stable housing
- Black or white color options
- IP67 rated

7 dBi	IP 67	4x4 MIMO	B71 Support
↑↓ LTE	📍 GPS	5G ready	



Overview

Antenna elements	4x LTE, 1x GPS
Cellular frequency bands	0.3dBi@ 617-960MHz 5.1dBi@ 1710-2700MHz 5.8dBi@ 3400-4200MHz 7.0dBi@ 4900-6000MHz
GPS frequency bands	1.6dBi, LNA 28dB: 1561-1602MHz
IP rating	IP67
Dimensions	(Height) 1.42" / 36mm (spigot not included) (Diameter) 5.12" / 130mm
Coax cable type	CFD-200 (4G/5G, Wi-Fi) RG-174 (GPS)
Connector Type	SMA male, QMA male, N-type male

Description

The Peplink Puma 401 is a 5G ready multi-band antenna built for land-based mobile applications. It supports 4x4 MIMO for high bandwidth and solid reliability. It is also 5G ready and supports a wide range of global cellular frequencies. The GPS receiver is equipped with high gain LNA, making it ideal for location tracking.

The Puma 401 has a solid housing made of UV stable plastic materials. Two color options are available (black and white) to fit different deployments. For easier installation, the antenna comes with different cable length options, available in SMA, QMA or N-type.

Applications

- Public Safety and mission critical connectivity
- Mobile healthcare
- Transportation Connectivity

Puma 401

Contact Us

sales@peplink.com

Find a Peplink Certified Partner

<https://www.peplink.com/peplink-certified-partners/>



Specification

Cellular

Antenna elements	4 elements
Cellular frequency bands	0.3dBi@ 617-960MHz 5.1dBi@ 1710-2700MHz 5.8dBi@ 3400-4200MHz 7.0dBi@ 4900-6000MHz
VSWR	< 2.5 over 85% of the band
Feed power handling	10W
Input impedance	50 Ω
Polarisation	Linear

GPS

Frequency range	1561-1602 MHz
Peak gain	0.5dBi@1575MHz 1.6dBi@1602MHz
VSWR	< 2.5
Output return loss	10dB max
Gain: LNA	28 ±3dB
Noise figure	1.5dB max at 3.3V
Operating Voltage	3.3V
Power consumption	8.5 ±2.5mA at 3.3V

Cable

Type	CFD-200
Loss	0.33 dB/m @ 900 MHz 0.49 dB/m @ 2000 MHz 0.55 dB/m @ 2500 MHz 0.87 dB/m @ 5800 MHz
Diameter	13/64" / 5.0mm
Jacket	Half matt PVC, UV resistant
Termination	SMA male, QMA male, N-type male
Type	RG-174
Loss	3.4 dB/m @ 1000 MHz 4.9 dB/m @ 1800 MHz
Diameter	0.1" / 2.7mm
Jacket	Half matt PVC, UV resistant
Termination	SMA male, QMA male, N-type male

Mounting

Supported types	Panel, wall, pole
Mounting hole	1 11/16" / 43mm
Max panel thickness	19/32" / 15mm

Puma 401

Mechanical

Product dimensions	(Height) 1.42" / 36mm (spigot not included) (Diameter) 5.12" / 130mm
Packaged dimensions	8.90" x 8.46" x 4.29" / 226 x 215 x 109mm
Radome material	UV stable PC+ABS

Package contents

Antenna	Puma 401
Mounting	Double sided 3M adhesive pad Diameter: 5.08" / 129mm Thickness: 0.08" / 2mm

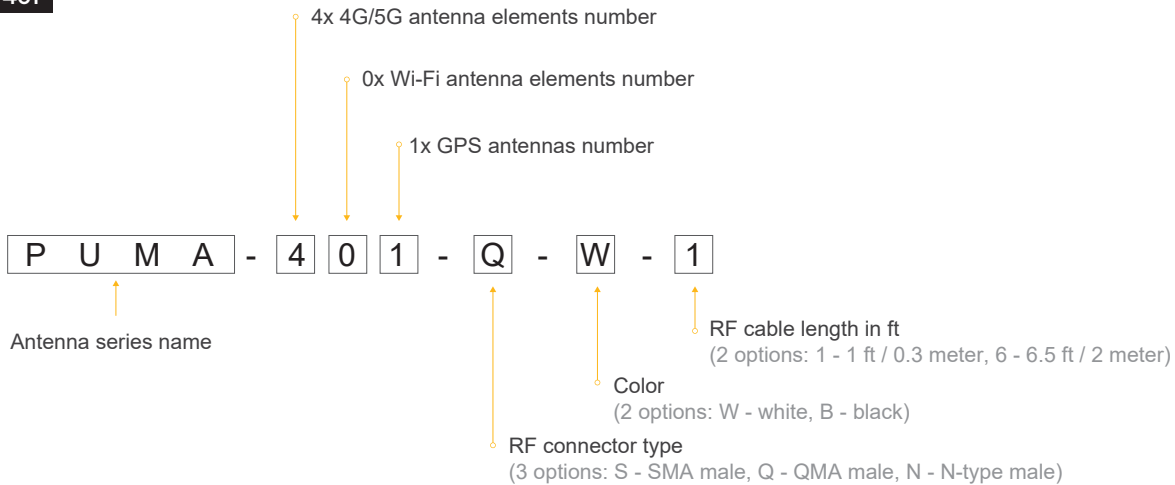
Environmental, compliance

IP rating	IP67
Operating temperature	-40° - 176°F / -40° - 80°C
Storage temperature	-40° - 176°F / -40° - 80°C
Compliance	Complies with RoHS requirements



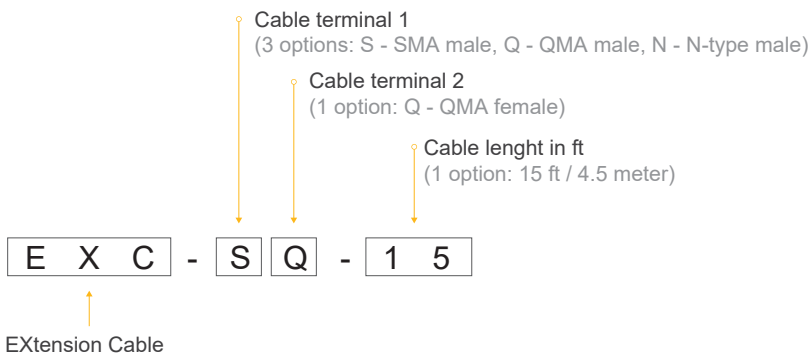
Ordering information

Puma 401

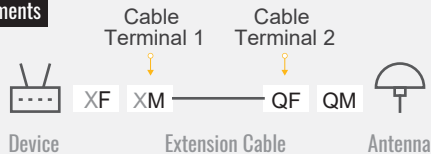


Product Code	Description
PUMA-401-S-W-6	4xLTE, 1xGPS, 600-6000MHz, IP67, SMA, White, 6.5ft / 2m
PUMA-401-S-B-6	4xLTE, 1xGPS, 600-6000MHz, IP67, SMA, Black, 6.5ft / 2m
PUMA-401-Q-W-1	4xLTE, 1xGPS, 600-6000MHz, IP67, QMA, White, 1 ft / 0.3m
PUMA-401-Q-W-6	4xLTE, 1xGPS, 600-6000MHz, IP67, QMA, White, 6.5ft / 2m
PUMA-401-Q-B-1	4xLTE, 1xGPS, 600-6000MHz, IP67, QMA, Black, 1 ft / 0.3m
PUMA-401-Q-B-6	4xLTE, 1xGPS, 600-6000MHz, IP67, QMA, Black, 6.5ft / 2m
PUMA-401-N-W-6	4xLTE, 1xGPS, 600-6000MHz, IP67, N-type, White, 6.5ft / 2m
PUMA-401-N-B-6	4xLTE, 1xGPS, 600-6000MHz, IP67, N-type, Black, 6.5ft / 2m

Extension cable



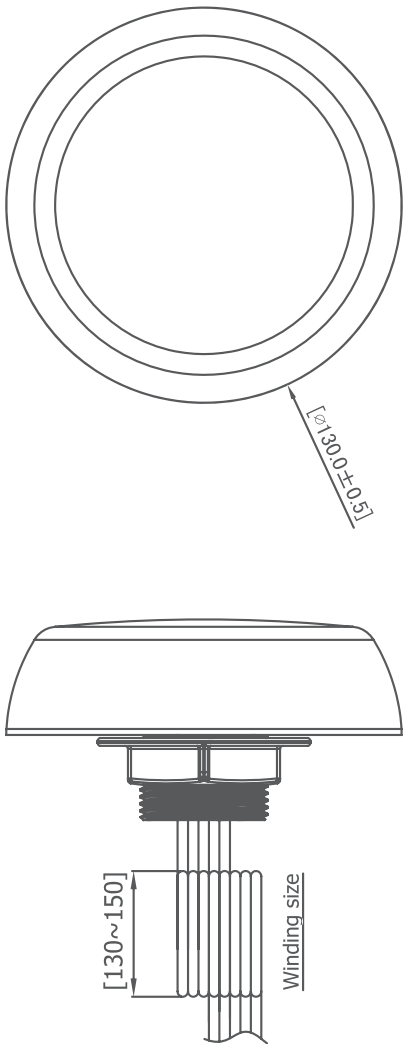
LTE/GPS elements



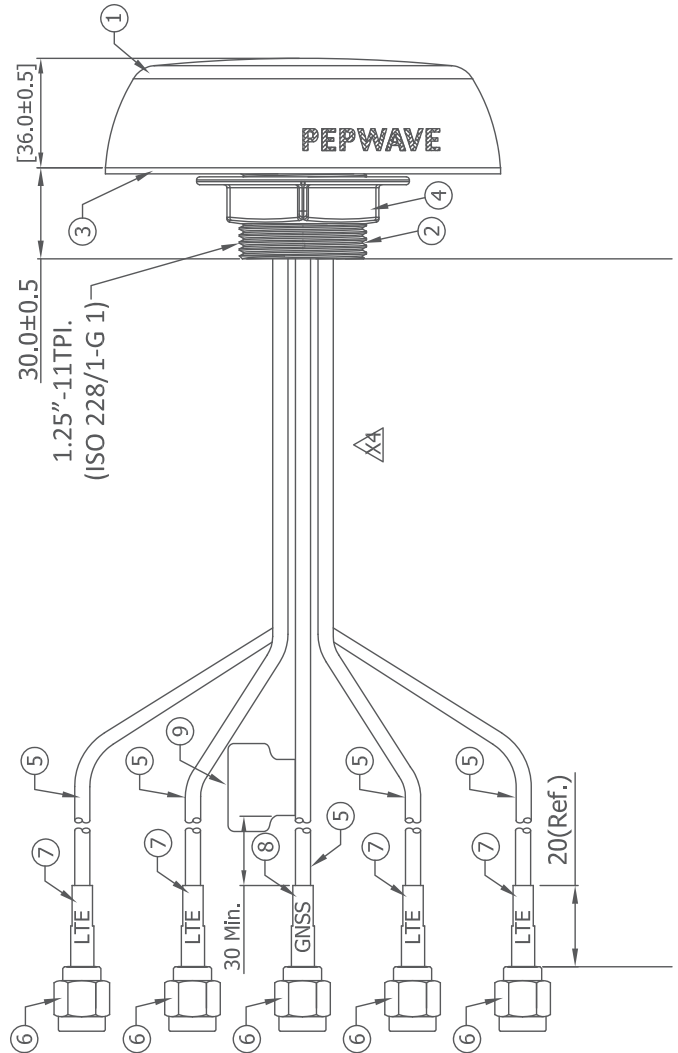
Product Code	Element type	Description
EXC-SQ-15	LTE/GPS elements	Extension coax cable, SMA male to QMA female connector, 15ft / 4.5m
EXC-QQ-15	LTE/GPS elements	Extension coax cable, QMA male to QMA female connector, 15ft / 4.5m
EXC-NQ-15	LTE/GPS elements	Extension coax cable, N-type male to QMA female connector, 15ft / 4.5m

Puma 401

Technical drawing



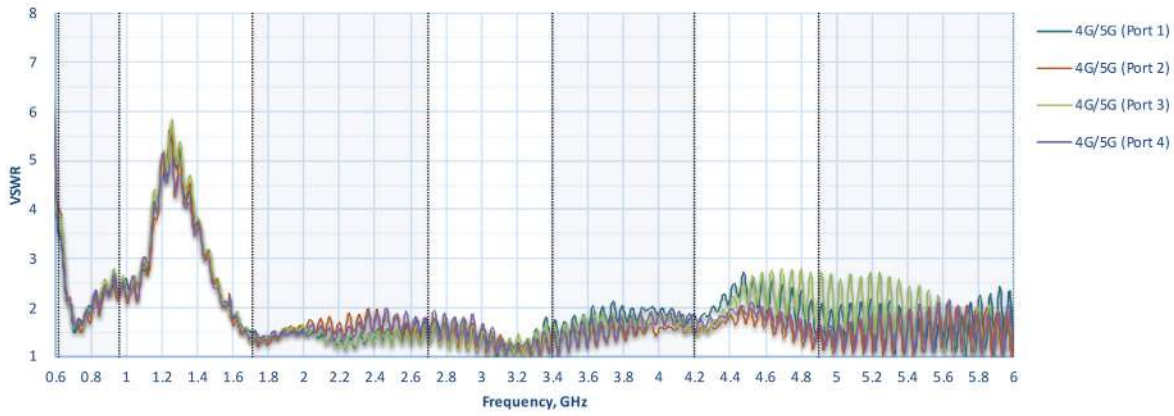
Puma 401



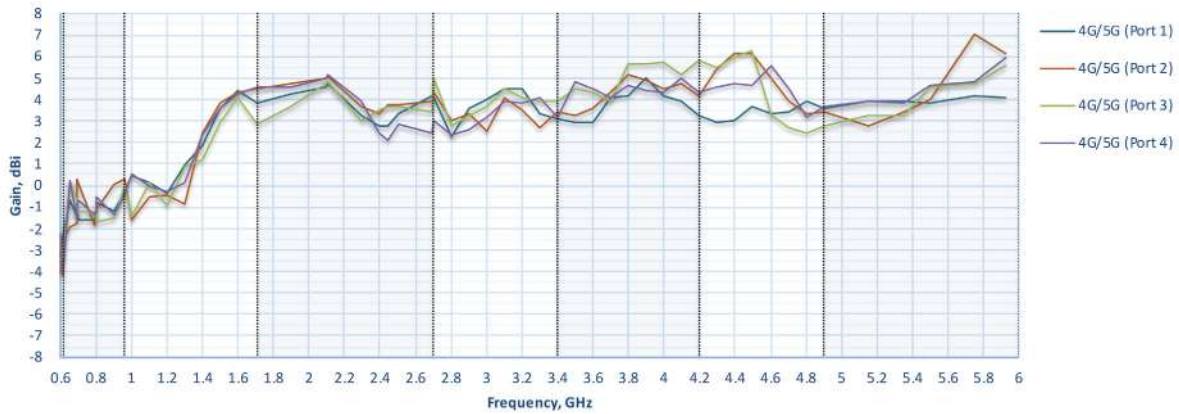
Index

No.	Description	Qty
1	Antenna top cover (PC+ABS)	1
2	Antenna bottom cover (PC+ABS)	1
3	Double sided 3M adhesive pad	1
4	Hexagon NUT (PC+ABS)	1
5	Cable CFD-200 (4G/5G)	5
6	4G/5G, GPS antenna connector	5
7	LTE cable marking	4
8	GPS cable marking	1
9	Label	1

Cellular Antenna VSWR

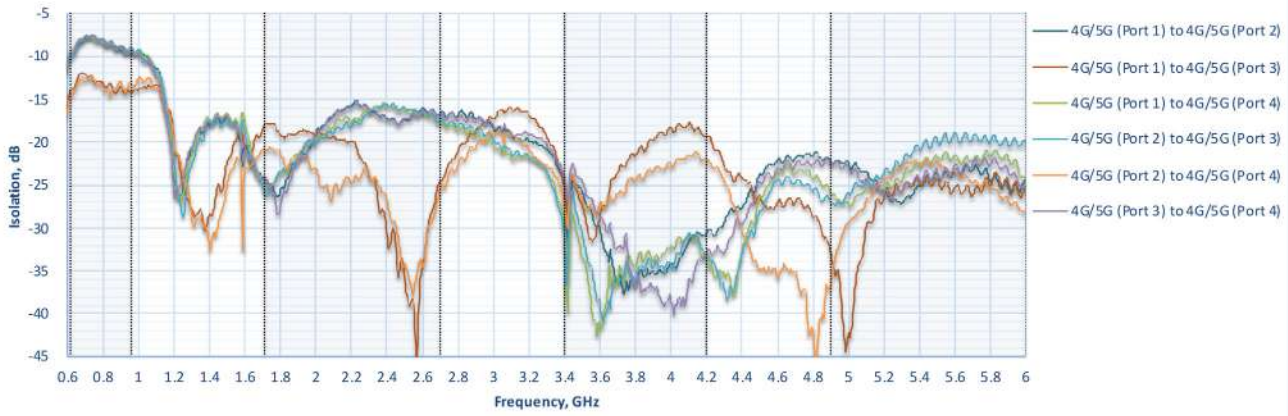


Cellular Antenna Gain

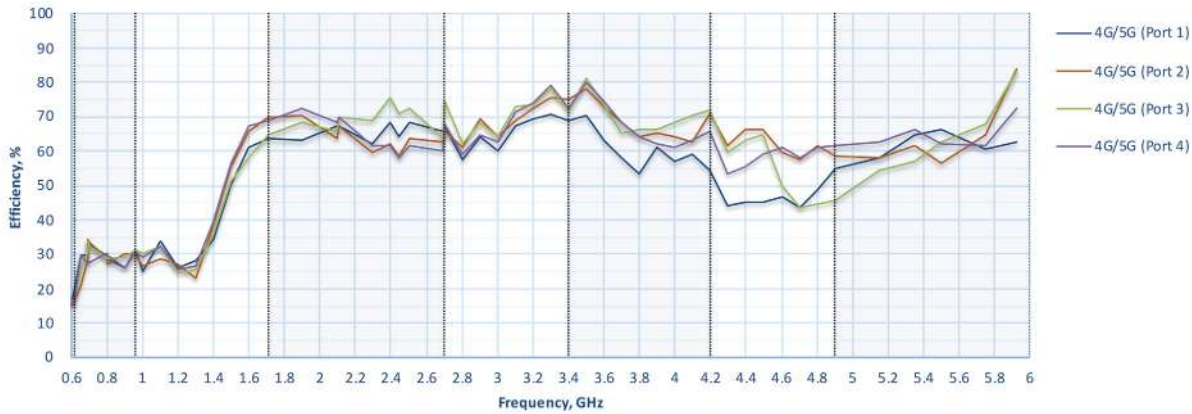


Puma 401

Cellular Antenna Isolation

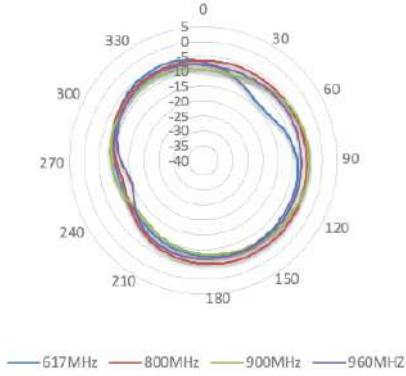


Cellular Antenna Efficiency

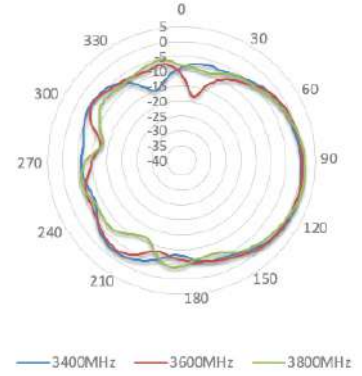


Radiation patterns (Azimuth)

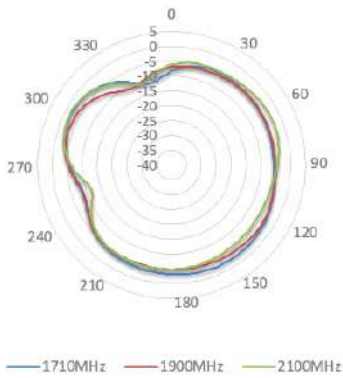
617-960 MHz



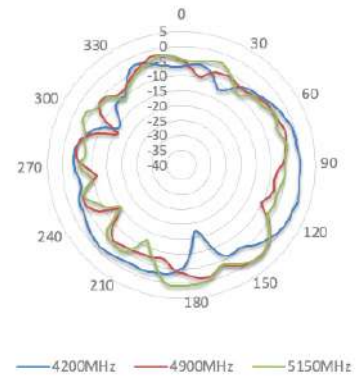
3400-3800 MHz



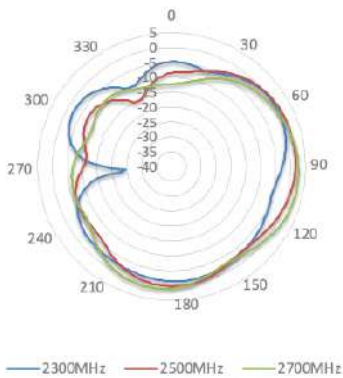
1710-2100MHz



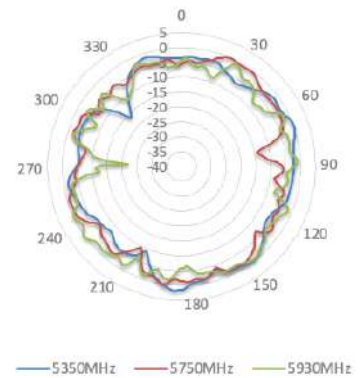
4200-5150 MHz



2300-2700 MHz



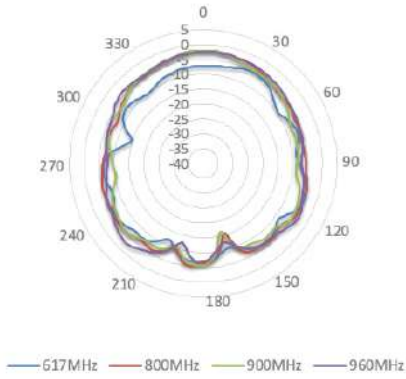
5350-5925 MHz



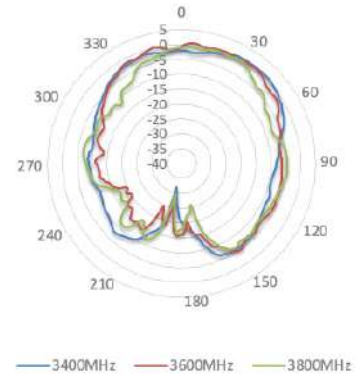
Puma 401

Radiation patterns (Elevation 1)

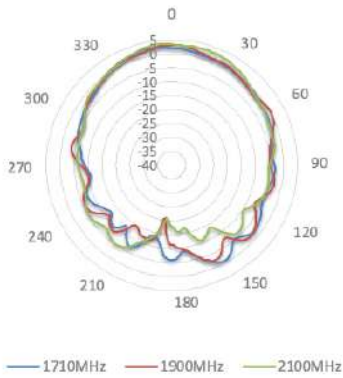
617-960 MHz



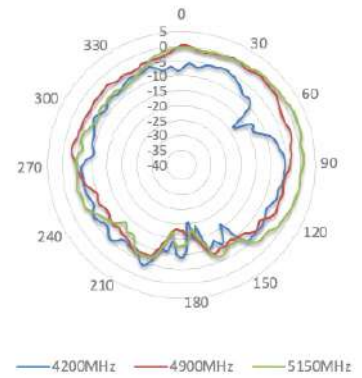
3400-3800 MHz



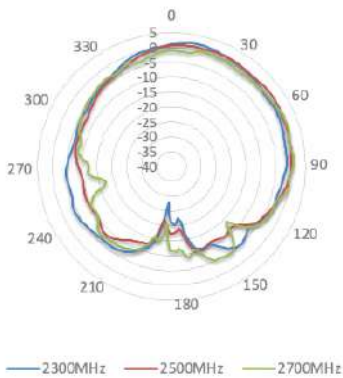
1710-2100MHz



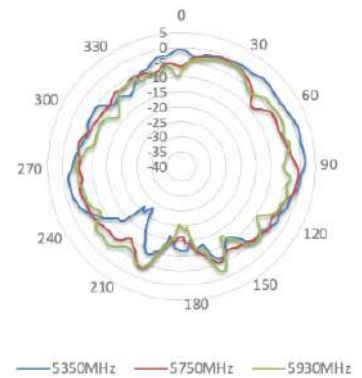
4200-5150 MHz



2300-2700 MHz



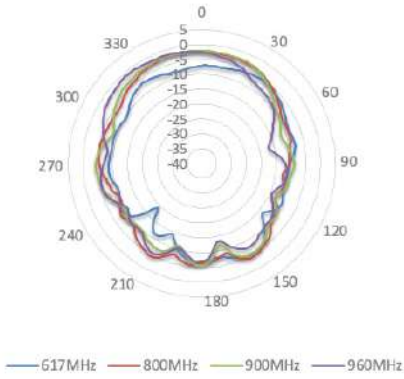
5350-5925 MHz



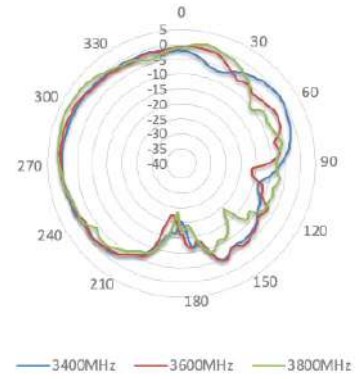
Puma 401

Radiation patterns (Elevation 2)

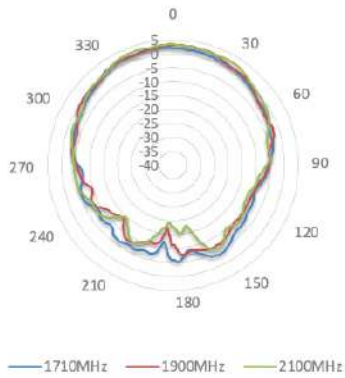
617-960 MHz



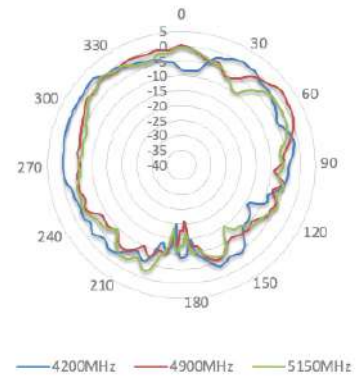
3400-3800 MHz



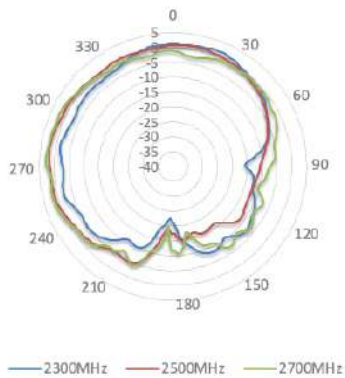
1710-2100MHz



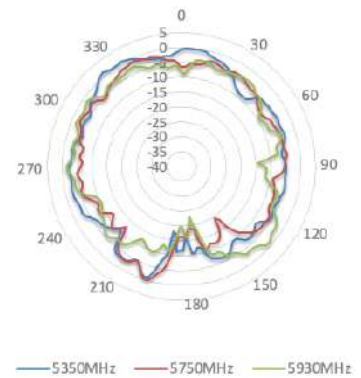
4200-5150 MHz



2300-2700 MHz



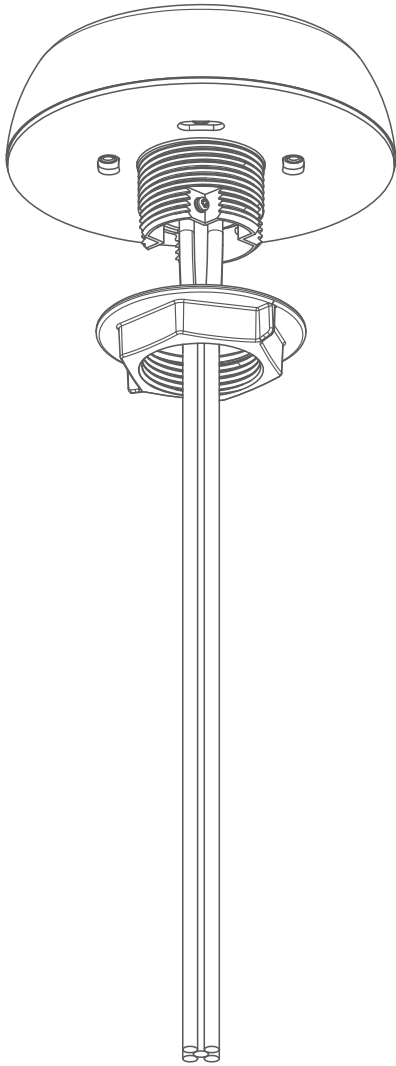
5350-5925 MHz



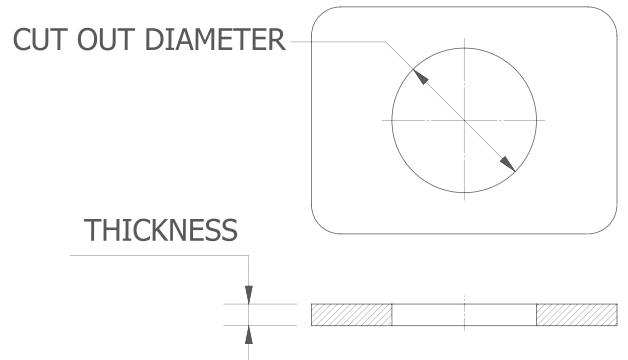
Puma 401

Installation recommendation

Panel Mount



Puma 401

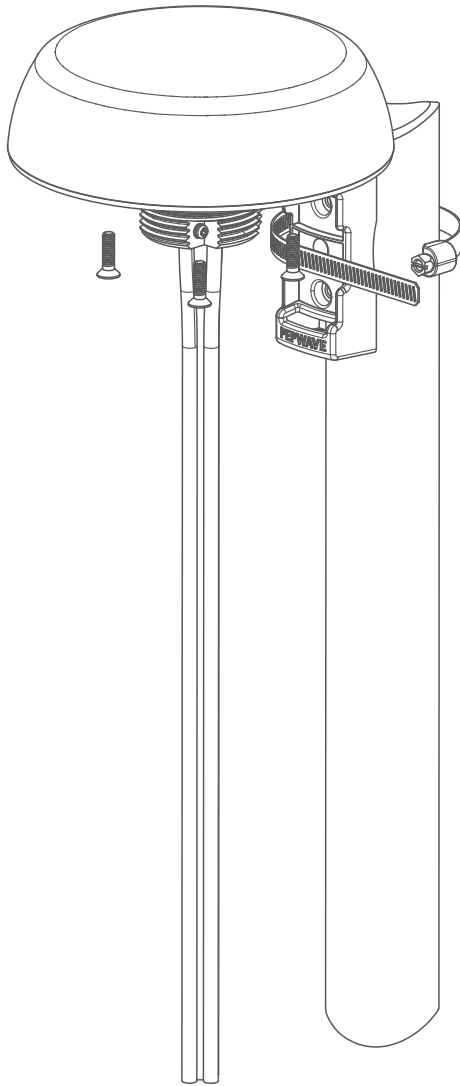


Notes

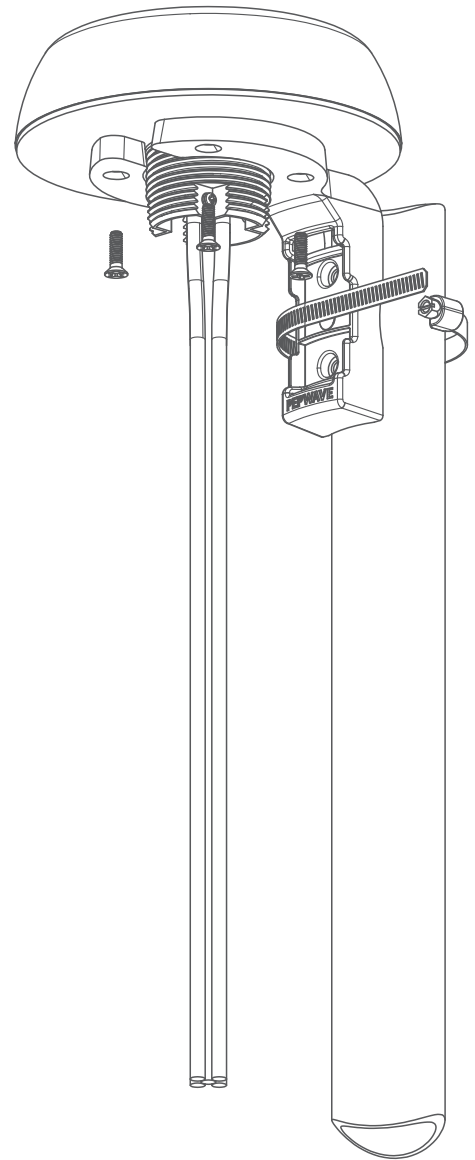
- Cover panel surface to protect the paint work. When drilling a hole, start with a small one, then increase it.
- Cut out diameter should be 1 11/16" / 43mm.
Maximum allowed panel thickness - 15mm.
- After a drill clean up the surface and apply some paint around the hole to prevent corrosion. Attach the antenna.

Installation recommendation

Pole Mount

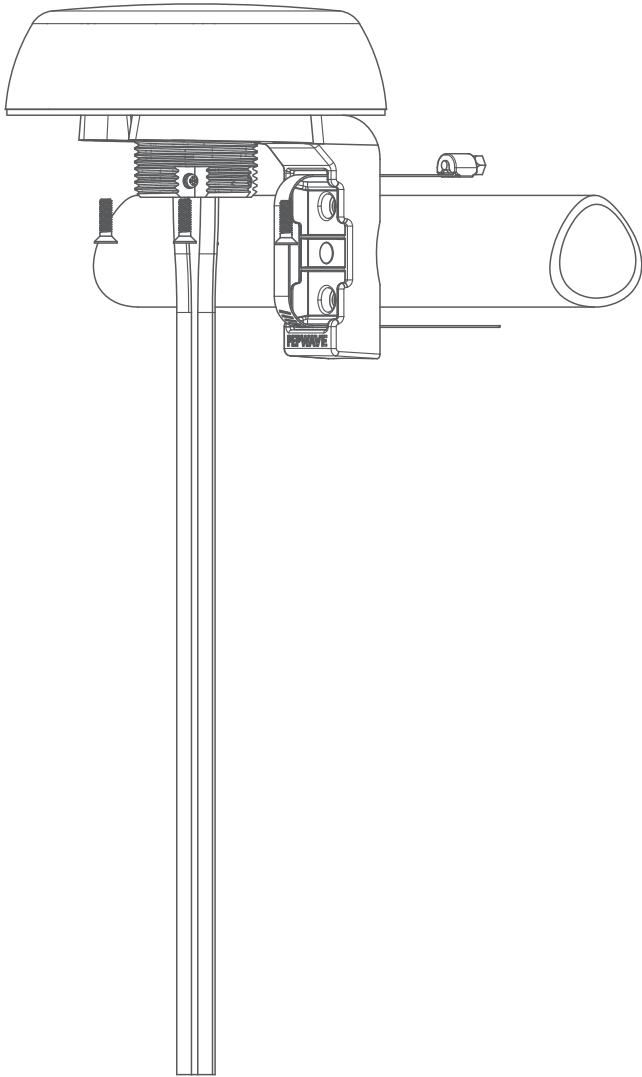


Puma 401

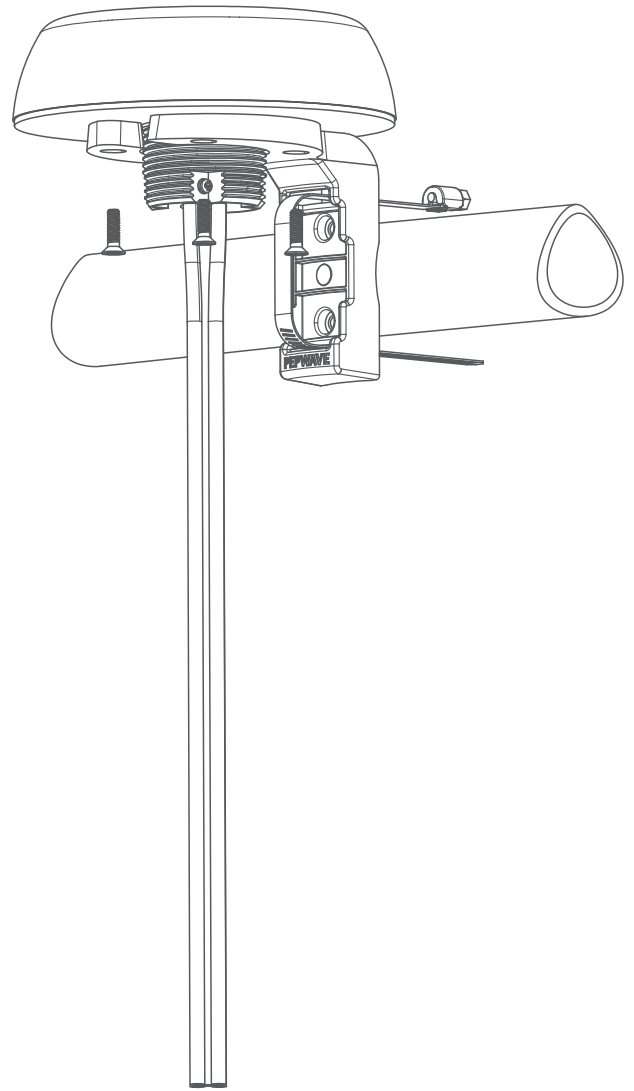


Installation recommendation

Horizontal Pole Mount



Puma 401



Installation recommendation

Wall Mount

Puma 401

